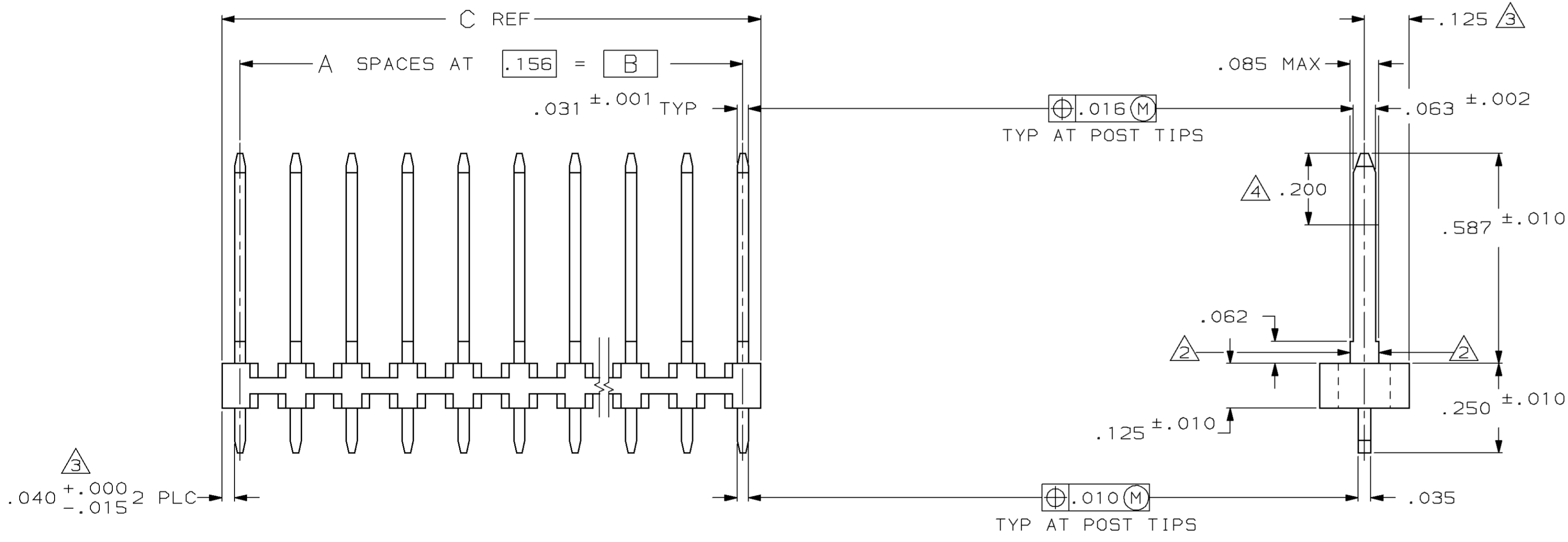
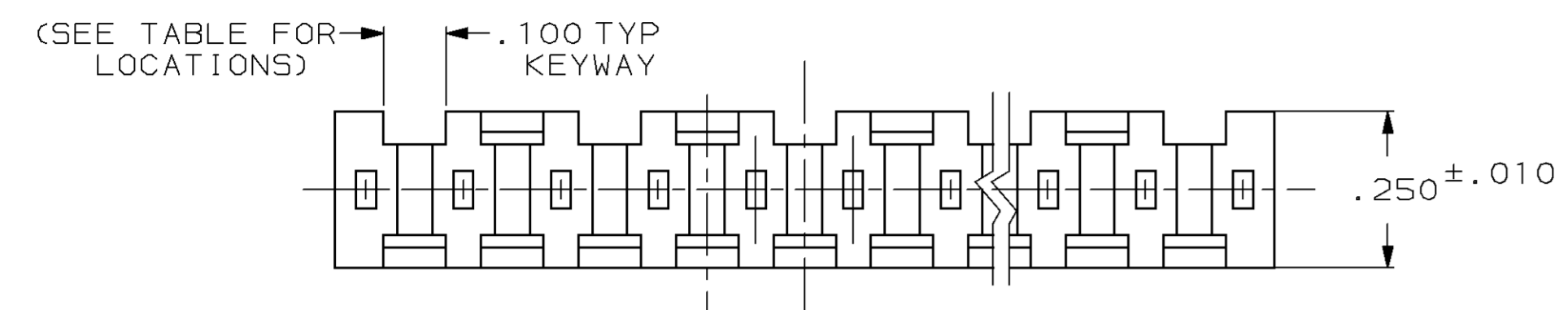
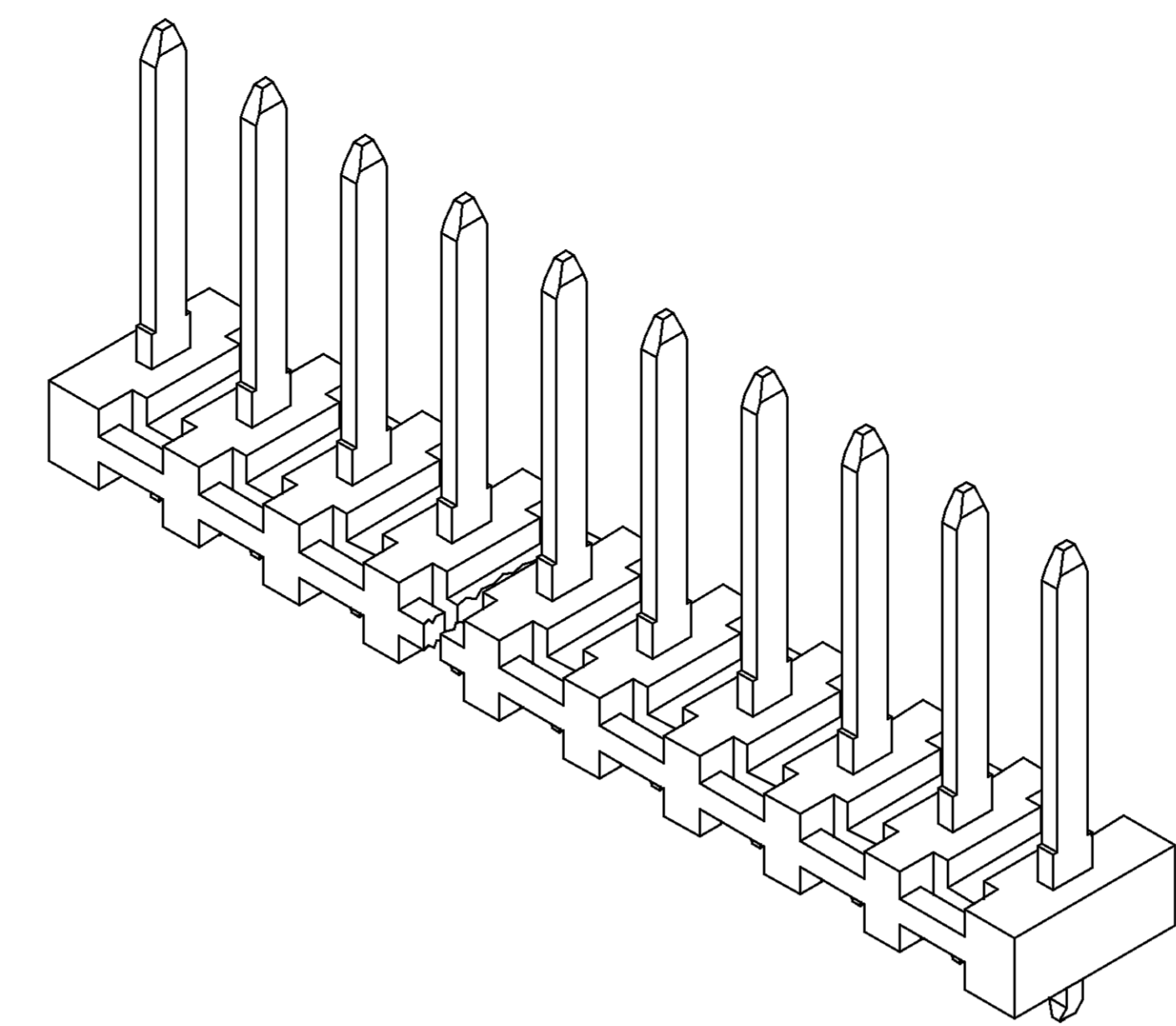


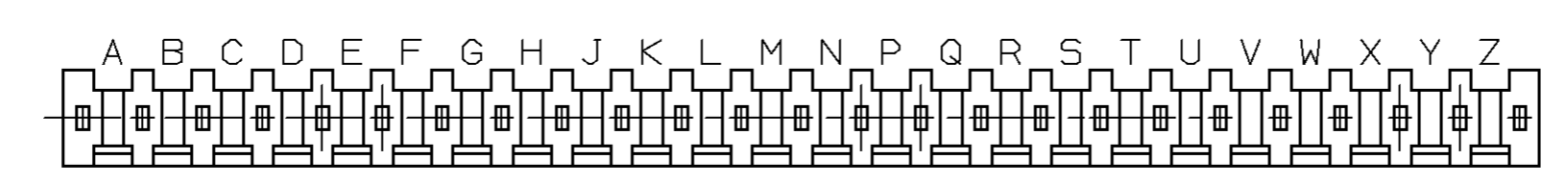
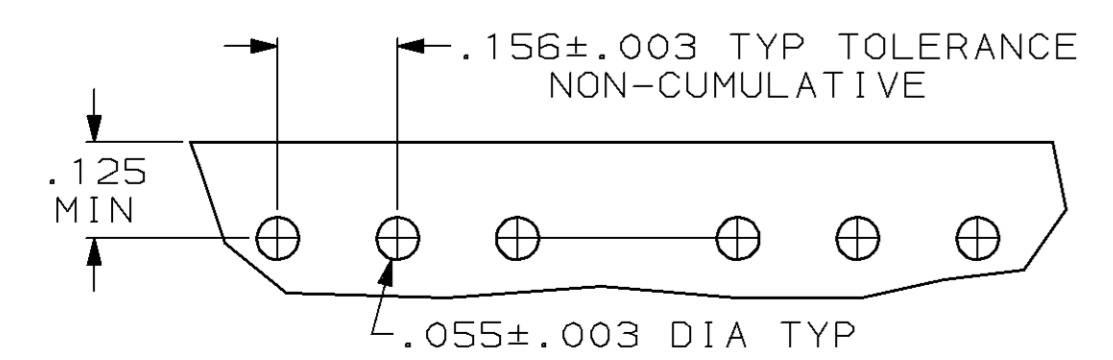
DRAWING MADE IN THIRD ANGLE PROJECTION
 THIS DRAWING IS UNPUBLISHED. RELEASED FOR PUBLICATION
 © COPYRIGHT 19 BY AMP INCORPORATED, HARRISBURG, PA. ALL INTERNATIONAL RIGHTS RESERVED. AMP PRODUCTS MAY BE COVERED BY U.S. AND FOREIGN PATENTS AND/OR PATENTS PENDING.

MOD	LOC	DIST	P	F	ZONE	LTR	DESCRIPTION	DATE	APPD
27	AD	39					REV & REDRAWN ECN 1413	-	-
							REV ECN 1785		
							REV ECN 1925		
							REV PER ECN AR2031	DLR 10-17-88 JPG 5-2-89	
							REV LOC & DIST AD-4171	3-90	BF
							REV PER AD-5123	1-25-91	-
							REV PER 0010-0700-93	8-7-93	SAS
							REV PER 0010-1103-93	3-16-94	SAS
							REV PER 0310-0048-97	29MAY97	JH
							REV PER 0310-0250-97	7-10-97	JH



OBSOLETE	NONE	NONE	5.415	5.304	34	35	3-87247-6
OBSOLETE	NONE	NONE	5.259	5.148	33	34	3-87247-5
OBSOLETE	NONE	NONE	5.103	4.992	32	33	3-87247-4
OBSOLETE	NONE	NONE	4.947	4.836	31	32	3-87247-3
OBSOLETE	NONE	NONE	4.791	4.680	30	31	3-87247-2
OBSOLETE	NONE	NONE	4.635	4.524	29	30	3-87247-1
OBSOLETE	NONE	NONE	4.479	4.368	28	29	3-87247-0
OBSOLETE	NONE	NONE	4.323	4.212	27	28	2-87247-9
OBSOLETE	NONE	NONE	4.167	4.056	26	27	2-87247-8
OBSOLETE	NONE	NONE	4.011	3.900	25	26	2-87247-7
	NONE	NONE	.111	-	-	1	2-87247-6
	A, C, E, H, K, M, Q, S, U, W, Y	11	3.855	3.744	24	25	2-87247-5
	A, C, E, G, J, L, N, Q, S, U, W, Y	12	3.699	3.588	23	24	2-87247-4
	A, D, G, K, N, R, U, X	8	3.543	3.432	22	23	2-87247-3
	A, C, E, G, J, L, N, Q, S, U, W	11	3.387	3.276	21	22	2-87247-2
	A, D, G, K, N, R, U	7	3.231	3.120	20	21	2-87247-1
	A, C, E, G, J, L, N, Q, S, U	10	3.075	2.964	19	20	2-87247-0
	B, D, F, J, L, N, Q, S	8	2.919	2.808	18	19	1-87247-9
	A, D, F, J, M, P, S	7	2.763	2.652	17	18	1-87247-8
	A, D, G, K, N, R	6	2.607	2.496	16	17	1-87247-7
	A, C, E, G, J, L, N, Q	8	2.451	2.340	15	16	1-87247-6
	A, D, G, K, N	5	2.295	2.184	14	15	1-87247-5
	A, C, E, G, J, L, N	7	2.139	2.028	13	14	1-87247-4
	A, D, J, M	4	1.983	1.872	12	13	1-87247-3
	A, C, E, G, J, L	6	1.827	1.716	11	12	1-87247-2
	A, D, G, K	4	1.671	1.560	10	11	1-87247-1
	A, C, E, G, J	5	1.515	1.404	9	10	1-87247-0
	A, D, G	3	1.359	1.248	8	9	87247-9
	A, C, E, G	4	1.203	1.092	7	8	87247-8
	A, C, E	3	1.047	.936	6	7	87247-7
	A, C, E	3	.891	.780	5	6	87247-6
	A, D	2	.735	.624	4	5	87247-5
	A, C	2	.579	.468	3	4	87247-4
	A	1	.423	.312	2	3	87247-3
	A	1	.267	.156	1	2	87247-2
	KEYWAY LOCATIONS	NO OF KEYWAY	C	B	A	NO OF POSN	ASSEMBLY PART NUMBER

- △ THESE SURFACES WILL NOT BE PLATED
- △ THE NOTED DIMENSIONS APPLY AT THE INTERSECTION OF THE POST AND THE HOUSING
- △ POINT OF MEASUREMENT FOR PLATING THICKNESS



KEYWAY LOCATIONS (REF-SEE TABLE)
 (MATING LENGTH OF POST ON NEAR SIDE)
 SCALE: 2:1

UNLESS OTHERWISE SPECIFIED DIMENSIONS ARE IN INCHES TOLERANCES ON:	DR 7-17-87, L A MAYER	AMP INCORPORATED Harrisburg, Pa. 17105
2 PL DEC ± .005	CHK 7-20-87 E HUBBEN	
3 PL DEC ± .005	APPD 7-20-87 E HUBBEN	
MATERIAL HOUSING - FLAME RETARDANT THERMOPLASTIC, COLOR - BLACK	APPD 7-24-87 J SCHIEFER	NAME HEADER ASSEMBLY, MOD I, VERTICAL, SINGLE ROW, .156¢
POSTS - BRASS	PRODUCT SPEC 108-25016	SIZE D
FINISH POSTS: .000030 GOLD OVER .000050 NICKEL	APPLICATION SPEC -	FSCM NO 00779
	WEIGHT -	DRAWING NO 87247
		SCALE 4:1
		SHEET 1 OF 1